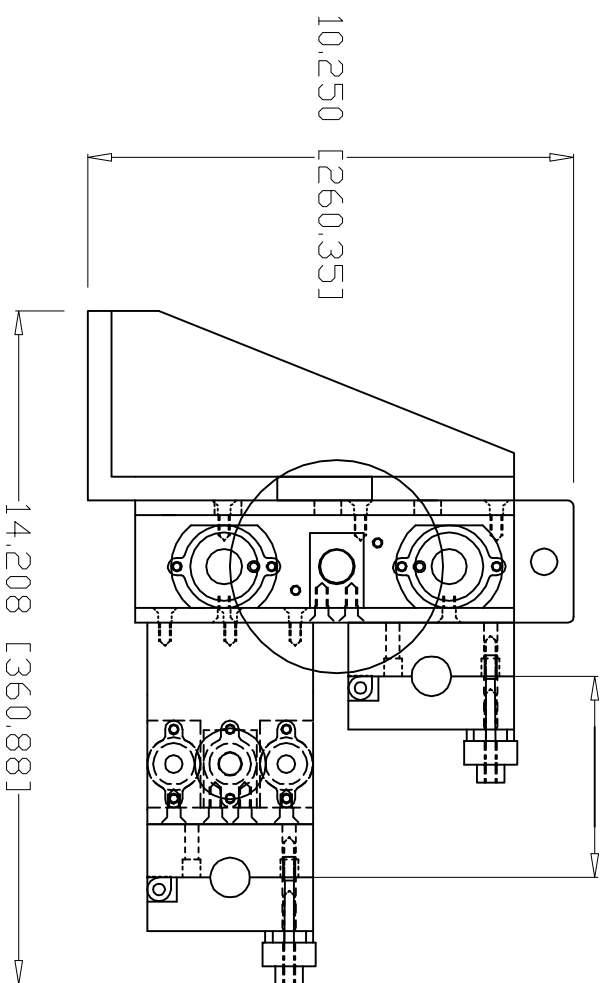
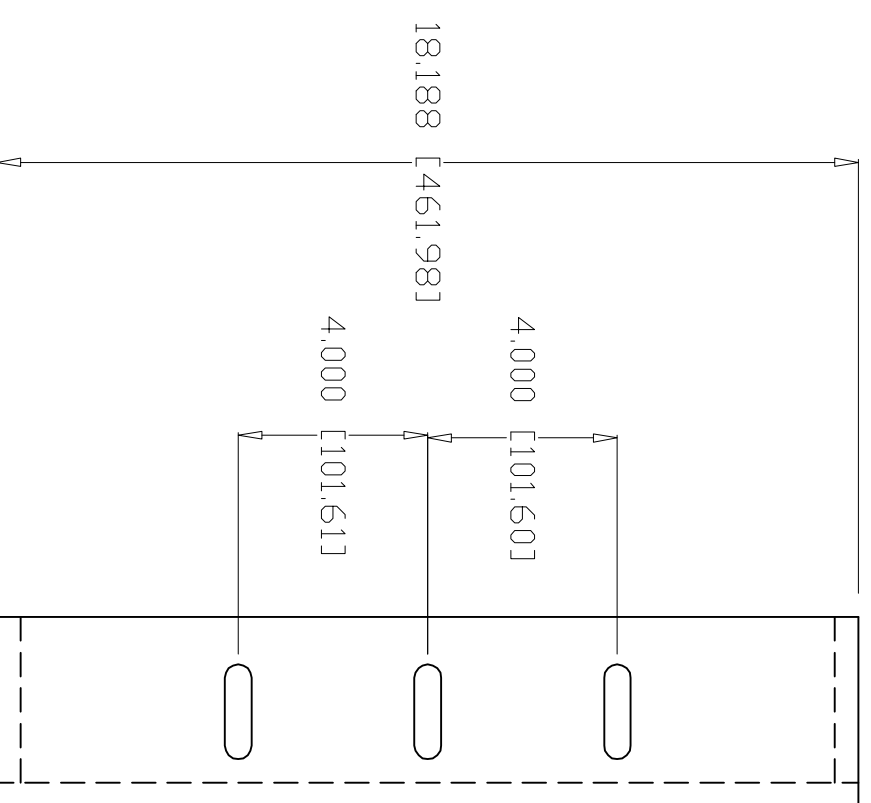


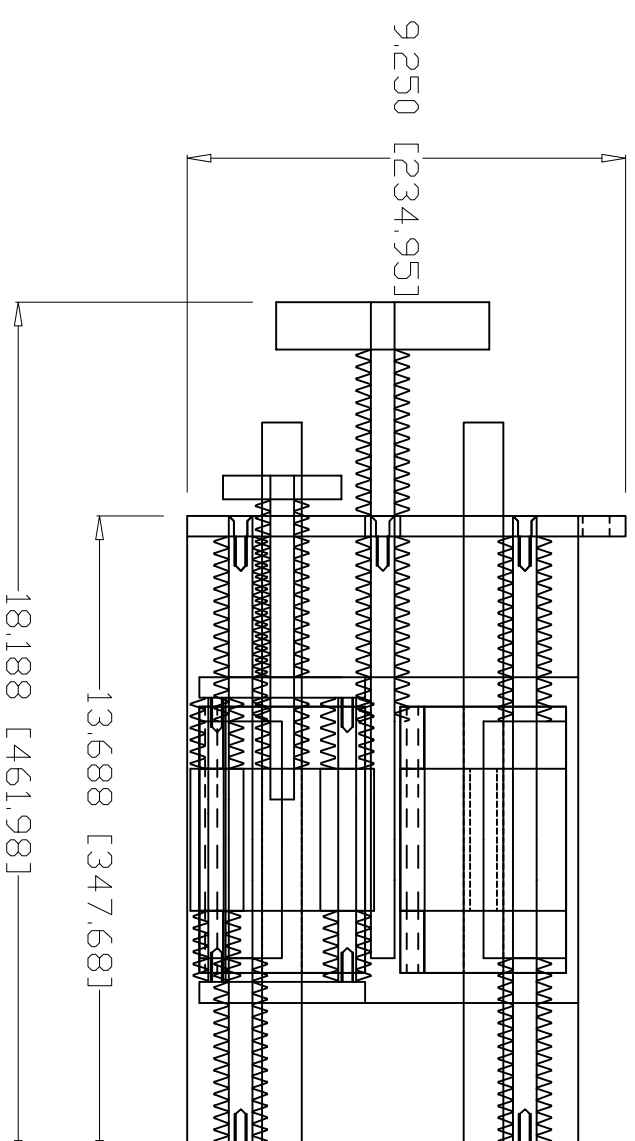
PIPE CENTER RANGE
1 TD 6 INCHES [25.4mm TD 152.4mm]



END VIEW



MOUNTING HOLE PATTERN



SIDE VIEW

1/4" SCD 40 SS
SEAMLESS PIPE
OR
1/2" SCD 40 SS
SEAMLESS PIPE

TIGER TRIM SQUIRTS
2 POS VERTICAL XZ MODEL

Weight = 51 lbs.